

2 Micron Mode-Locked Fiber Laser AP-ML

This world's first 2 μ m mode-locked fiber laser offers sub-picosecond pulse width and high beam intensity, suitable as a seed laser and providing a new tool to research and industry applications.

With their compact size, high efficiency, low maintenance, and ease of operation, AdValue Photonics' 2 μ m fiber lasers provide many advantages over traditional bulk Holmium and Thulium solid state lasers.

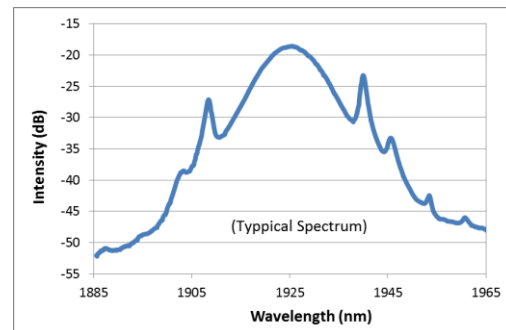
Applications:

- Mid-IR generation
- Nonlinear optics studies
- Spectroscopy
- Research & development



Features:

- Short pulse-width
- Broad spectral bandwidth
- Near diffraction limited beam quality
- Turn-key system with no maintenance required



Optical Characteristics:

Parameter	Specification
Operating wavelength	1.95 \pm 0.05 μ m
Average power	5 mW nominal
Pulse width	350 to 950 fs options
Pulse repetition rate	20-50 MHz (non-adjustable factory set)
Beam quality, M ²	< 1.1
Output polarization	Random (option: linear polarization)
Output fiber	SMF-28 single mode fiber, 3 mm jacket, 1 m length, no connector

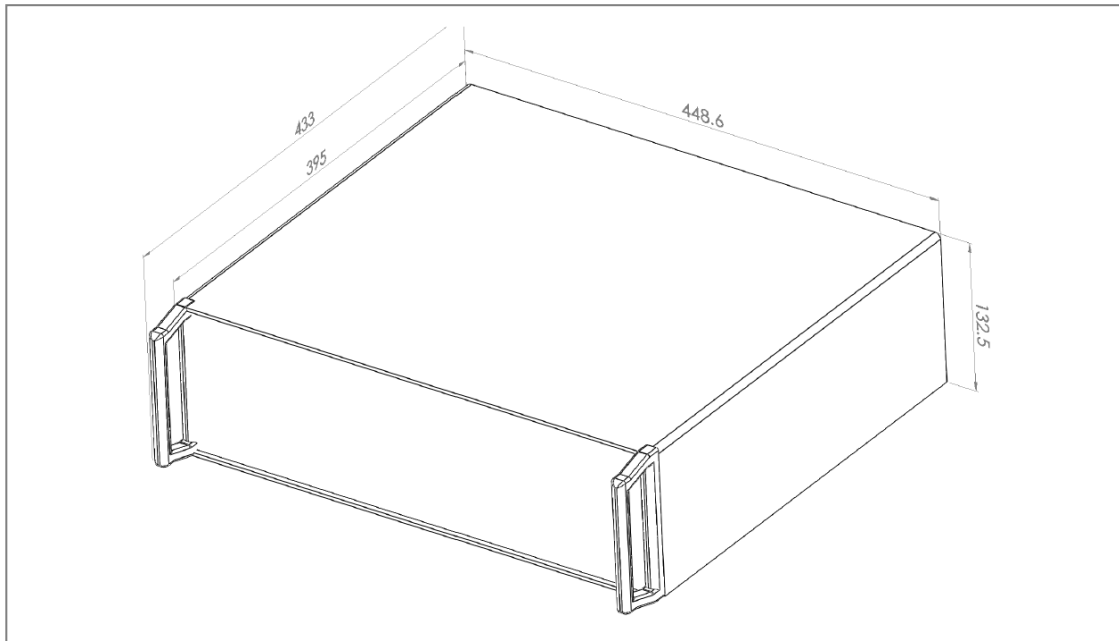
(For special requirement, please contact AdValue Photonics for options.)

Specifications subject to change without notice

General Characteristics:

Parameter	Specification
Operating temperature	+18 to +30 °C
Storage temperature	-10 to +70 °C
Cooling	Forced air
Power requirement	AC 100~240 V (50/60Hz)
Warm-up time	10 minutes
Package dimensions	448.6(W) x 433(D) x 132.5(H) mm

Mechanical Outline:



Ordering Information:

Part Number:	AP-ML	-	1950	-	mxxx	-	RP
			Operating Wavelength: 1950 = 1.95±0.05 μm		Output Power: m003 = 5 mW m005 = 3 mW		Polarization: RP = random polarization LP = linear polarization



Specifications subject to change without notice